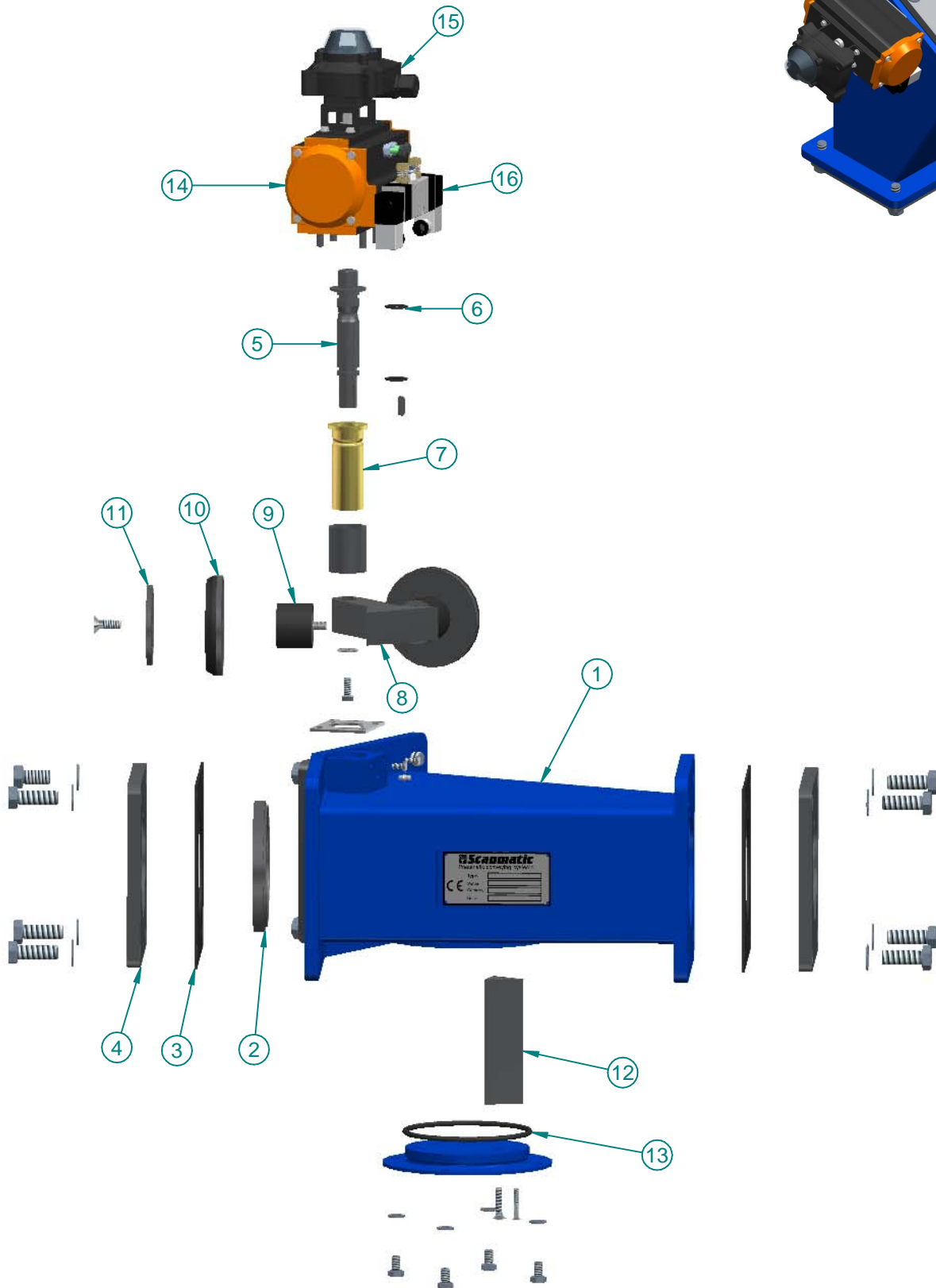
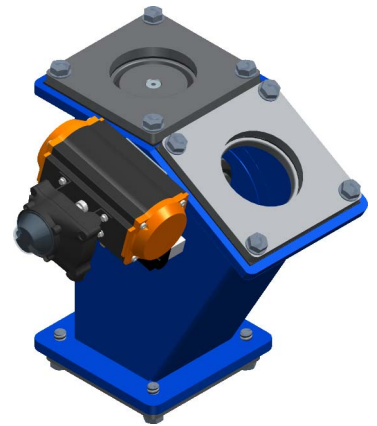


Diverter valve SVV3 100-125

Article number: P-0709102 / P-0709127



Diverter valve SVV3 100-125

Article number: P-0709102 / P-0709127

| Reccomended spare- and wear parts | | | | | |
|-----------------------------------|--|------------|-----------|---------------|-------------|
| No. | Title | Spare part | Wear part | Product group | Art.no |
| 16 | Solenoid valve 5-2 bi-stable 24 VDC complete | Yes | | TS09-002 | P-10302500 |
| 15 | Limit switch box A250PSM mechanical IP67 | Yes | | TS09-003 | P-232501 |
| 14 | Actuator PA83 | Yes | | TS07-005 | P-210083 |
| 13 | O-ring 129,2x5,7 | Yes | | TS07-009 | P-300002 |
| 12 | Cone protection | Yes | | TS07-009 | P-401321 |
| 11 | Washer Ø90 | Yes | | TS07-009 | P-40037201 |
| 10 | Cone DN125 | Yes | Yes | TS07-009 | P-400378-01 |
| 10 | Cone DN100 | Yes | Yes | TS07-009 | P-400371-00 |
| 9 | Vibration damper 50x36-M10 | Yes | | TS07-009 | P-1005036 |
| 8 | Arm | Yes | | TS07-009 | P-30011100 |
| 7 | Bushing | Yes | | TS07-009 | P-40036701 |
| 6 | O-ring 19,3x3 | Yes | | TS07-009 | P-300001 |
| 5 | Axle | Yes | | TS07-009 | P-40036901 |
| 4 | Flange DN125 | Yes | | TS07-009 | P-400379 |
| 4 | Flange DN100 | Yes | | TS07-009 | P-40037501 |
| 3 | Gasket DN125 | Yes | | TS07-009 | P-400235 |
| 3 | Gasket DN100 | Yes | | TS07-009 | P-40037401 |
| 2 | Seat DN125 | Yes | Yes | TS07-009 | P-400378 |
| 2 | Seat DN100 | Yes | Yes | TS07-009 | P-40037301 |
| 1 | Valve house | Yes | | TS07-009 | P-30011501 |

| Solenoid valve, alternatives | | | | | |
|------------------------------|---|------------|-----------|---------------|------------|
| No. | Title | Spare part | Wear part | Product group | Art.no |
| 3 | Solenoid valve 5-2 mono stable 24 VDC complete | Yes | | TS09-001 | P-103023 |
| 2 | Solenoid valve 5-2 mono stable 230 VAC complete | Yes | | TS09-001 | P-1030231 |
| 1 | Solenoid valve 5-2 bi-stable 230 VAC complete | Yes | | TS09-002 | P-10302501 |

| Limit switch, alternatives | | | | | |
|----------------------------|---|------------|-----------|---------------|----------|
| No. | Title | Spare part | Wear part | Product group | Art.no |
| 2 | IFM Inductive sensor IN5225 | Yes | | TS09-014 | P-232515 |
| 1 | Limit switch box A252PSP inductive IP67 | Yes | | TS09-003 | P-232502 |

WHEN ORDERING SPARE PARTS, ALWAYS SPECIFY:

- The product's type designation (SVV3-150), and manufacturing number (T-XX XXX).
- The article number, quantity and name of the spare part.