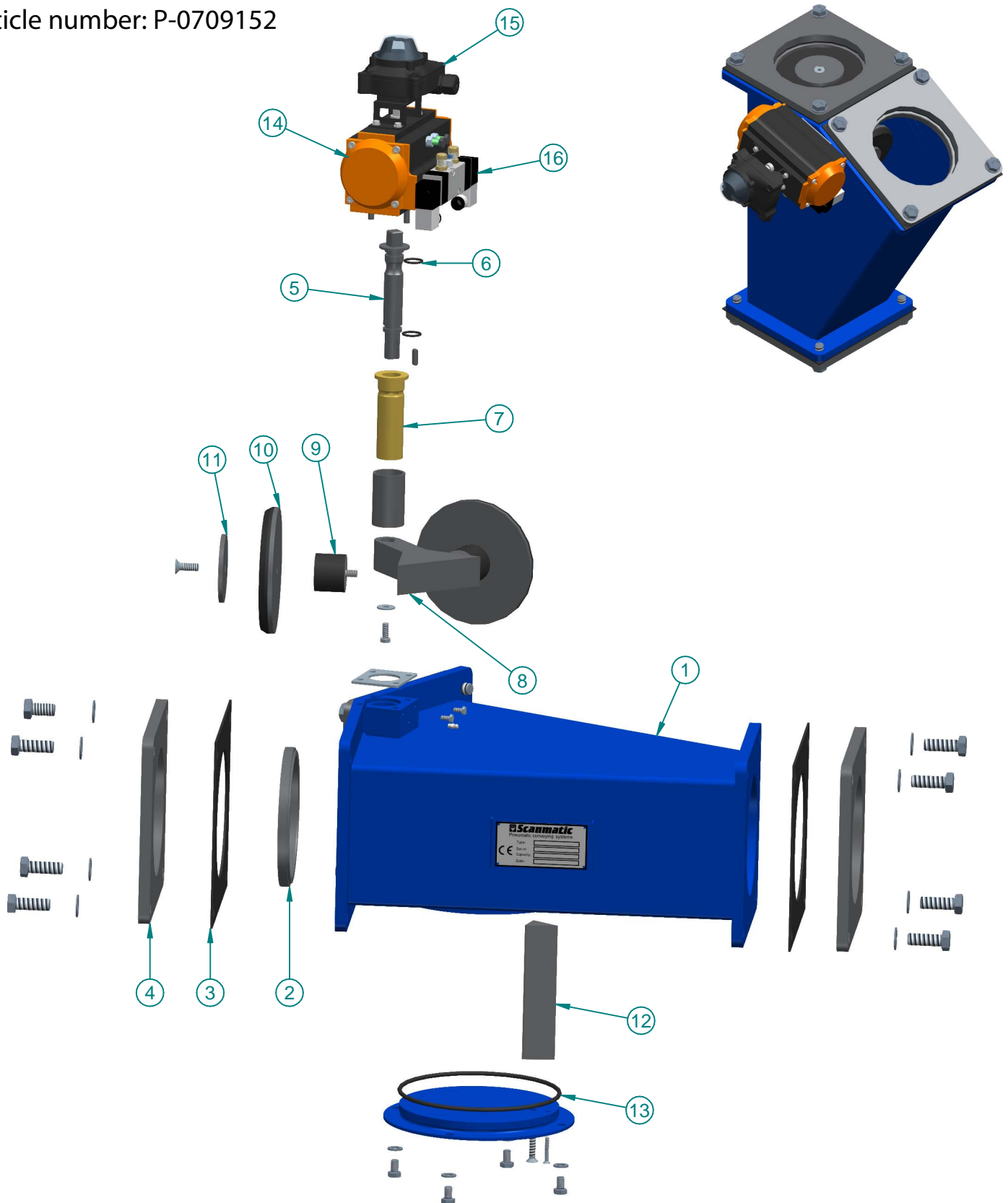


**Diverter valve SVV3 150**  
Article number: P-0709152



## Diverter valve SVV3 150

Article number: P-0709152

Reccomended spare- and wear parts					
No.	Title	Spare part	Wear part	Product group	Art.no
16	Solenoid valve 5-2 bi-stable 24 VDC complete	Yes		TS09-002	P-10302500
15	Limit switch box A250PSM mechanical IP67	Yes		TS09-003	P-232501
14	Actuator PA83	Yes		TS07-005	P-210083
13	O-ring 200x5,7	Yes		TS07-009	?
12	Cone protection	Yes		TS07-009	P-401388
11	Washer Ø90	Yes		TS07-009	P-40037201
10	Cone DN150	Yes	Yes	TS07-009	P-400379-01
9	Vibration damper 50x36-M10	Yes		TS07-009	P-1005036
8	Arm	Yes		TS07-009	P-30011150
7	Bushing	Yes		TS07-009	P-40036702
6	O-ring 19,3x3	Yes		TS07-009	P-300001
5	Axle	Yes		TS07-009	P-40036902
4	Flange DN150	Yes		TS07-009	P-401380
3	Gasket DN150	Yes		TS07-009	P-401389
2	Seat DN150	Yes	Yes	TS07-009	P-400379/2
1	Valve house SVV3 150	Yes		TS07-009	P-0709150

Solenoid valve, alternatives					
No.	Title	Spare part	Wear part	Product group	Art.no
3	Solenoid valve 5-2 mono stable 24 VDC complete	Yes		TS09-001	P-103023
2	Solenoid valve 5-2 mono stable 230 VAC complete	Yes		TS09-001	P-1030231
1	Solenoid valve 5-2 bi-stable 230 VAC complete	Yes		TS09-002	P-10302501

Limit switch, alternatives					
No.	Title	Spare part	Wear part	Product group	Art.no
2	IFM Inductive sensor IN5225	Yes		TS09-014	P-232515
1	Limit switch box A252PSP inductive IP67	Yes		TS09-003	P-232502

### WHEN ORDERING SPARE PARTS, ALWAYS SPECIFY:

- The product's type designation (SVV3-150), and manufacturing number (T-XX XXX).
- The article number, quantity and name of the spare part.